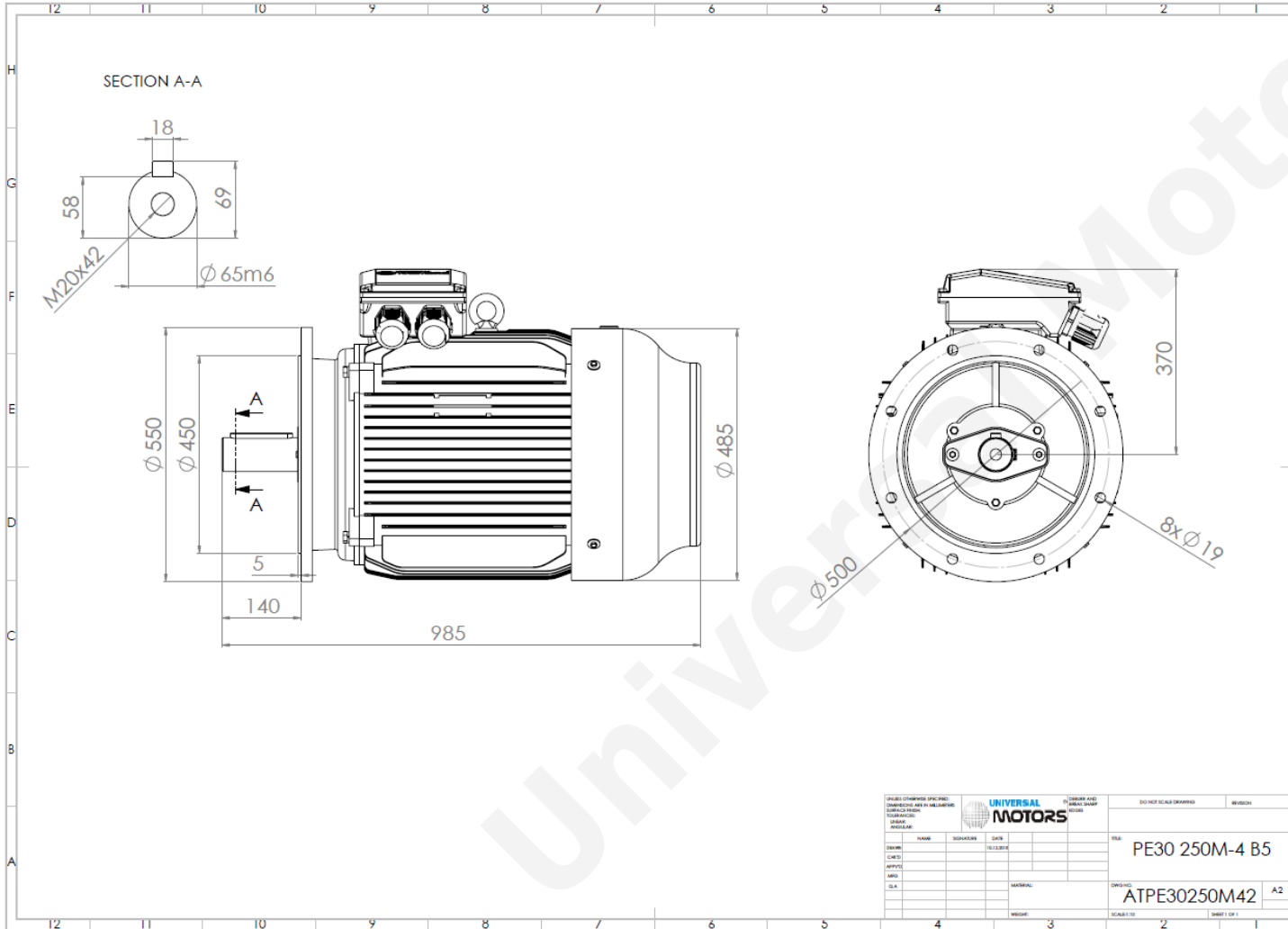




TECHNICAL DATA

Three Phase Electric Motors - Cast Iron Frame
 PE30 250 M 4 IE3
 55 kW / 75 Cv
 1485 RPM



Motor type:	PE30 250 M 4 IE3
Output:	55 kW / 75 Cv
Speed (min ⁻¹):	1485 RPM
Frequency:	50 Hz
Voltage:	400 V
Current:	97.6 A
Power factor (Cos Ø):	0.86
Poles:	4
Insulation class:	F
Temperature rise Class:	B
Efficiency 50%:	93.6 %
Efficiency 75%:	94.8 %
Efficiency 100%:	94.6 %
Torque:	354 N.m
Tstarting/Tnominal:	2.0
Istarting/Inominal:	7.4
Tmaximum/Tnominal:	2.3
Noise:	68 Db(A)
Weight:	433 Kg
Bearing DE:	6314 C3
Bearing NDE:	6314 C3

UNIVERSAL MOTORS		UNIVERSAL MOTORS		UNIVERSAL MOTORS	
DESIGNER	DATE	REVISION	DATE	REVISION	DATE
TITLE: PE30 250M-4 B5			DRAWING NO.: ATPE30250M42		
MATERIAL: A2			SCALE: 1:1		
WEIGHT: 433 Kg			SHEET 1 OF 1		

Regime - S1

Altitude - 1000m

Environment Temperature - 40°C

CONTACTS:

UNIVERSAL MOTORS Tel: +351 252 299 080
 Rua de São Brás,745 Fax: +351 252 299 089
 4480-782 VILA DO CONDE Mail: geral@universalmotors.pt

* References applied only in the UK